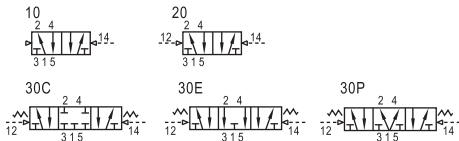


ISO Standard air valve(5/2 way, 5/3 way)

EAV200, 300, 400, 600 Series



Symbol



Product feature

1. Succinct appearance and compact conformation.
2. The installation size conforms to ISO 5599/1 standard.
3. Because of the special seals, the feature are large flow rate and long lifetime.
4. External pilot, can be used without electrical.
5. You need install the valve together with the sub-base. There are individual and manifold sub-base.
6. There are various connection and installation method for manifold. It is easy to use.
7. The manifold of 200\300\400 series have the function of exhaust throttling, so no need to connect another throttle valve.
8. Because of be used external pilot, the working pressure of double air control valve can be zero or vacuum.

Ordering code of valve

EAV 2 10

Model
ESV: ISO standard air valve

Code
2: 200 Series
3: 300 Series
4: 400 Series
6: 600 Series

Valve type
10: Single air control 5/2 way
20: Double air control 5/2 way
30C: Double air control 5/2 way closed center
30E: Double air control 5/2 way exhaust center
30P: Double air control 5/2 way pressure center

Ordering code of cover plate

P-EAV210 R1

Accessories code
P: Unit accessories

Accessories type
R1: Cover plate

Adapt production

Note: 600 series have not cover plate.

Specification

Model	200 Series	300 Series	400 Series	600 Series
Orifice size(Cv) mm ²	32(Cv=1.8)	42(Cv=2.32)	69(Cv=3.85)	108(Cv=6.0)
Fluid	Air(to be filtered by 40 μ m filter element)			
Acting	Extend pilot			
Lubrication ①	Not required			
Operating	Single air control		0.2~1.0MPa(29~145psi)	
Pressure	Double air control		-0.09~1.0MPa(-13~145psi)	
Control pressure(external pilot)	0.2~1.0MPa(29~145psi)			
Proof pressure	1.5MPa(215psi)			
Temperature	-20~70°C			
Port size(manifold) ②	1/4"	3/8"	1/2"	3/4"
Port size(end plate)	3/8"	1/2"	3/4"	1"
Installation size	ISO 5599-1 standard			

Note ①: Once lubricated air is used, continue with same medium to optimise valve life span. Lubricants like ISO VG32 or equivalent are recommended.

②: PT thread and G thread are available.

Ordering code of manifold

ESV 20 1M

Model
EAV: ISO standard solenoid valve

Code
2: 200 Series
3: 300 Series
4: 400 Series
6: 600 Series

Manifold type
1M: Individual sub-base
2M: Manifold sub-base
3M: End plate kit
4M: Side port block

Port position type
1M: Blank: Side port
B: Bottom Port
2M: Blank: Left side port
R: Right side port
B: Bottom Port
4M: Blank: Left side port
R: Right side port

External pilot port type
1M: Blank: Individual pilot port
2M: Blank: Individual pilot port
W: Centralized pilot port

Thread type
Blank: PT
G: G

Note:1. For the same model, the port size of the end-plate is bigger than the sub-base (For example ESV202M, the port size of sub-base is 1/4" , and the port size of end plate is 3/8").

2. Only individual pilot port is available for individual sub-base.

3. The manifold sub-base must be used with end plate kit, individual pilot port and centralized pilot port can be mixed.

4. 600 series individual sub-base only has side port, 600 series manifold sub-base only has individual pilot port and bottom port.

5. Only 600 series have side port block.

Ordering code of accessories

P-ESV200M R2

Accessories code
P: Unit accessories

Accessories type
R2: Blanking plate

Code
ESV200M: 200 Series manifold
ESV300M: 300 Series manifold
ESV400M: 400 Series manifold
ESV600M: 600 Series manifold



EAV

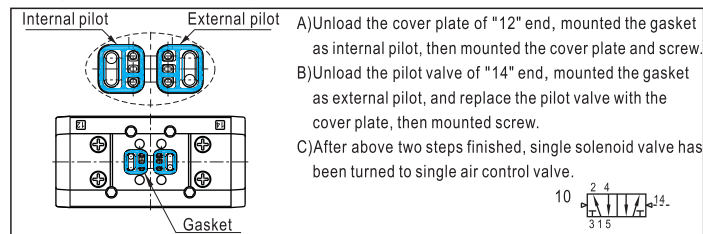
EAV200, 300, 400, 600 Series

■ Installation and operation(For 200, 300, 400 series)

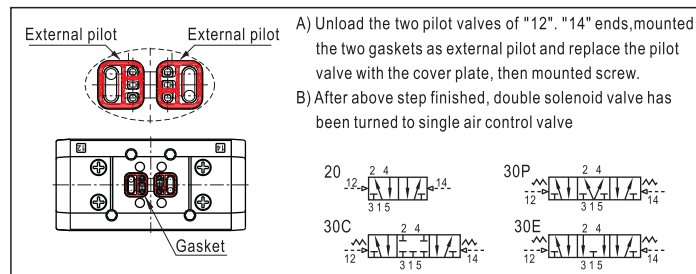
1. How to turn ESV series solenoid valve to EAV series air control valve

- 1.1. To turn ESV series solenoid valve (except 600 series) to EAV series air control valve, you must order cover plate first(the ordering code is P-EAV210-R1),then replace the coil unit and the pilot body with cover plate. the different gasket mounting can create different EAV air valve type as shown below.

1.2. Single solenoid valve turn to single air control valve:



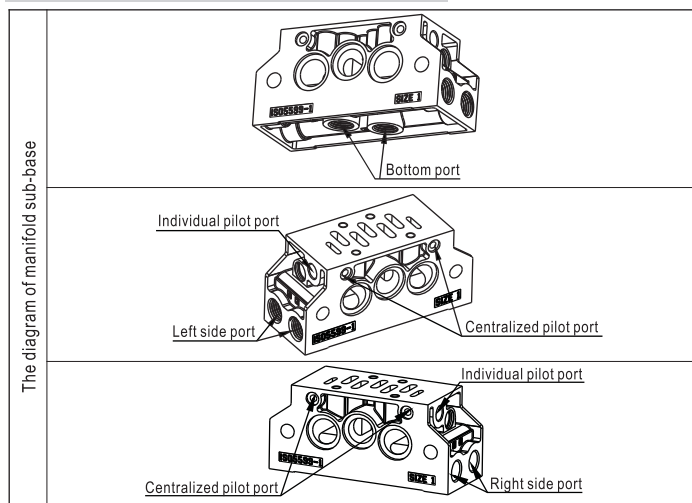
1.3. Double solenoid valve turn to double air control valve



2. The classification and selection of the parallel manifold sub-base

- 2.1. According to the direction of pilot air supply, we can divide the sub-base manifold into two types: the individual pilot and centralized pilot.
- 2.2. If you select the individual pilot, the fitting must be connected to the individual pilot ports. If you select the centralized pilot type, the fitting must be connected to the centralized pilot ports.
- 2.3. If you use parallel manifold, all of the manifold must be used the same pilot type: such as, all of them are the individual pilot type, or all of them are the centralized pilot type.
- *Note: Only when you use the external pilot type, you can select the individual pilot or centralized pilot. When you use the internal pilot type, the pilot ports on the manifold are ineffective.

3. The position and specification of the parallel manifold sub-base



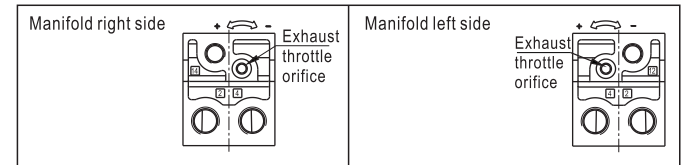
Port status of different manifold sub-base

Port working condition	Left side port	Right side port	Bottom port	Centralized pilot port	Individual pilot port
Ordering code					
ESV202MG	Use	Unused	Unused	Unused	Use
ESV202MGR	Unused	Use	Unused	Unused	Use
ESV202MGB	Unused	Unused	Use	Unused	Use
ESV202MGW	Use	Unused	Unused	Use	Unused
ESV202MGWR	Unused	Use	Unused	Use	Unused
ESV202MGWB	Unused	Unused	Use	Use	Unused

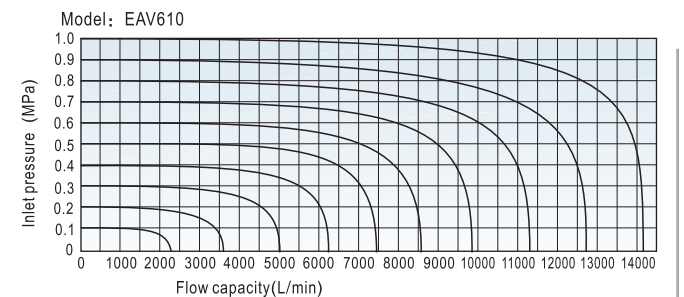
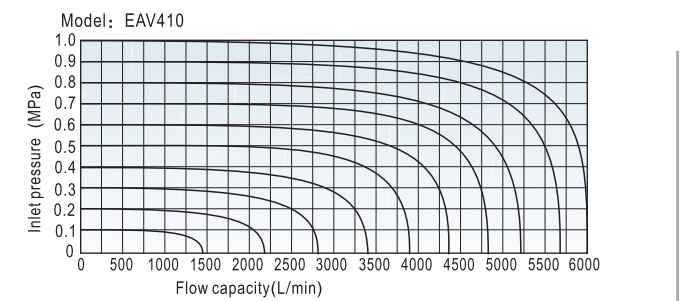
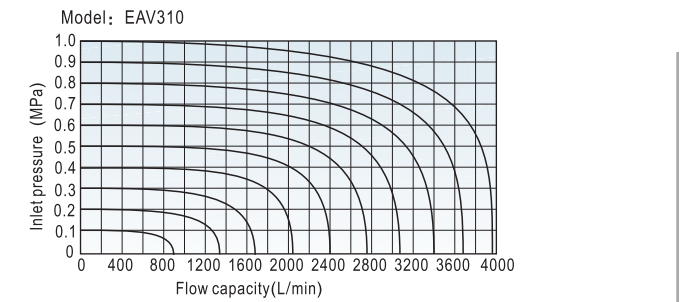
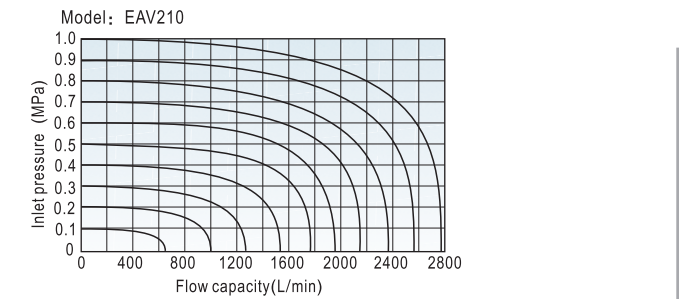
Note: Please seal the bottom port by plug, when it is unused.
 The above list is an example of 200M series' ordering code, the other series is follow the same pattern, only need to change the series code.

4. Exhaust throttle function

- 4.1. The manifold has exhaust throttle function, the below picture shows the position of the exhaust throttle orifices on each side.
- 4.2. Use allen key to adjust the screw.
- 4.3. Rotate the screw clockwise to reduce the exhaust orifice, rotate the screw counter-clockwise to enlarge the exhaust orifice.



■ Flow chart



ISO Standard air valve(5/2 way, 5/3 way)

EAV200, 300, 400, 600 Series

Inner structure

EAV210

NO.	Item	NO.	Item	NO.	Item
1	Bottom cover	9	Gasket	17	Cover plate
2	O-ring	10	Spacer	18	Spool
3	O-ring	11	O-ring	19	Upper cover gasket
4	Wear ring	12	Big piston sheath	20	Upper cover
5	O-ring	13	Big piston O-ring	21	Small piston
6	Screw	14	Big piston	22	Small piston O-ring
7	O-ring	15	Screw	23	Small piston sheath
8	Body	16	Gasket		

Dimensions of valves

EAV210\EAV220

EAV230CIEP

EAV310\EAV320

EAV330CIEP

EAV410\EAV420

EAV430CIEP

EAV610\620\630



EAV

ISO Standard air valve(5/2 way, 5/3 way)

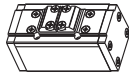
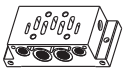
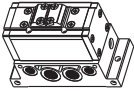
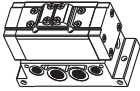
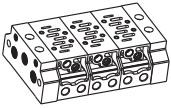
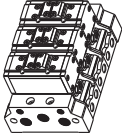
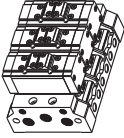
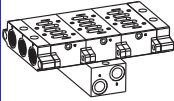
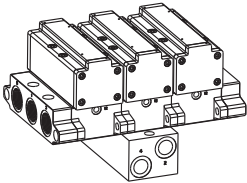
EAV200, 300, 400, 600 Series

■ Dimensions of manifold

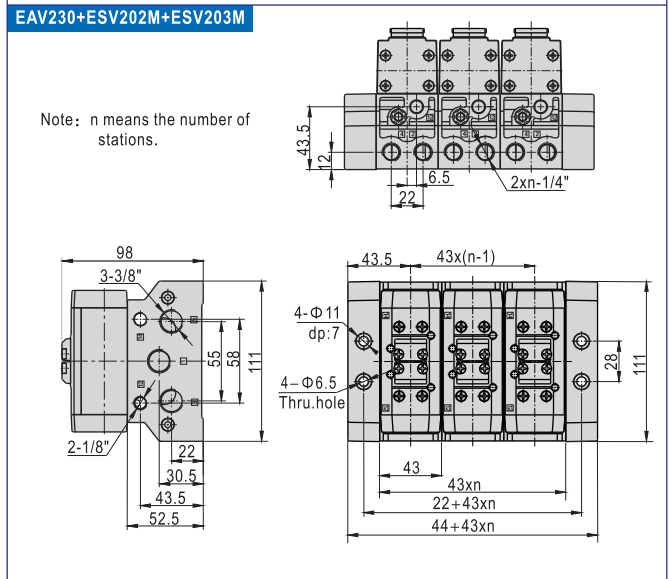
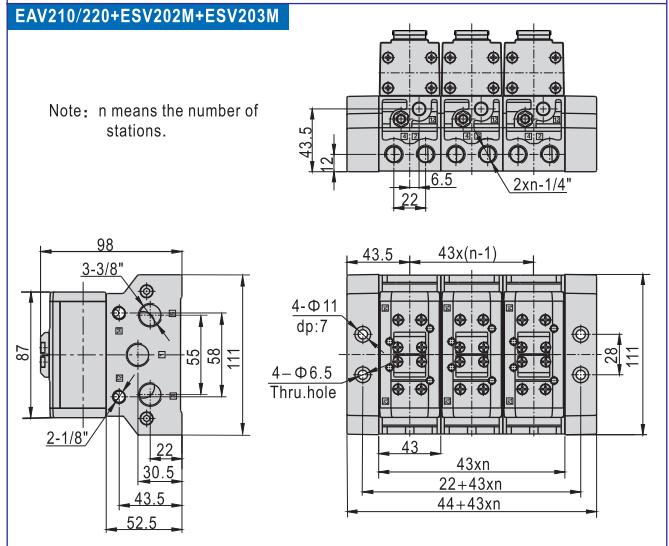
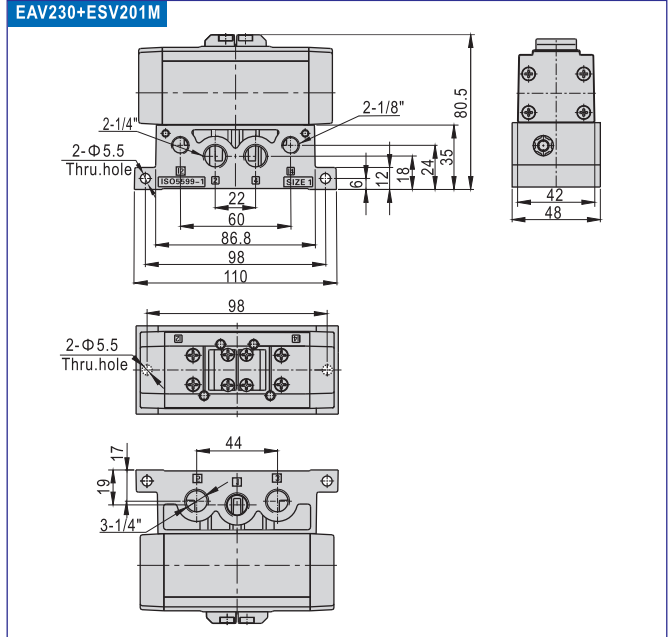
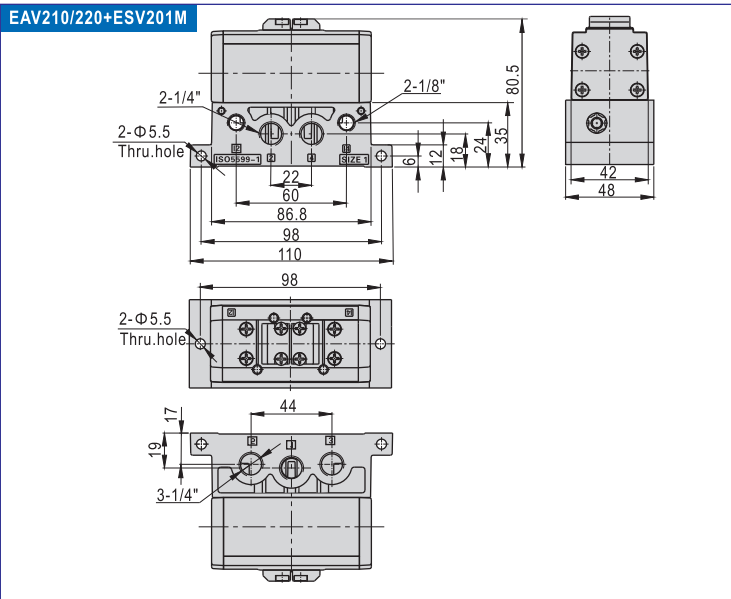
1. The dimensions of manifold are the same as ESV series's, please refer to page 41, 43, 45, 47.

■ Valves used with manifolds and their dimensions

1. EAV series valve must be used with the manifolds, the details are below:

Manifolds	Valves	
	EAV210\EAV220 EAV310\EAV320 EAV410\EAV420 EAV610\EAV620	
ESV201M ESV301M ESV401M ESV601M	EAV210\EAV220+ESV201M EAV310\EAV320+ESV301M EAV410\EAV420+ESV401M EAV610\EAV620+ESV601M	EAV230+ESV201M EAV330+ESV301M EAV430+ESV401M EAV630+ESV601M
		
ESV202M+ESV203M ESV302M+ESV303M ESV402M+ESV403M	EAV210\EAV220+ESV202M+ESV203M EAV310\EAV320+ESV302M+ESV303M EAV410\EAV420+ESV402M+ESV403M	EAV230+ESV202M+ESV203M EAV330+ESV302M+ESV303M EAV430+ESV402M+ESV403M
		
ESV602M+ESV603M +ESV604M	EAV610\EAV620 +ESV602M+ESV603M+ESV604M	EAV630+ESV602M +ESV603M+ESV604M
		

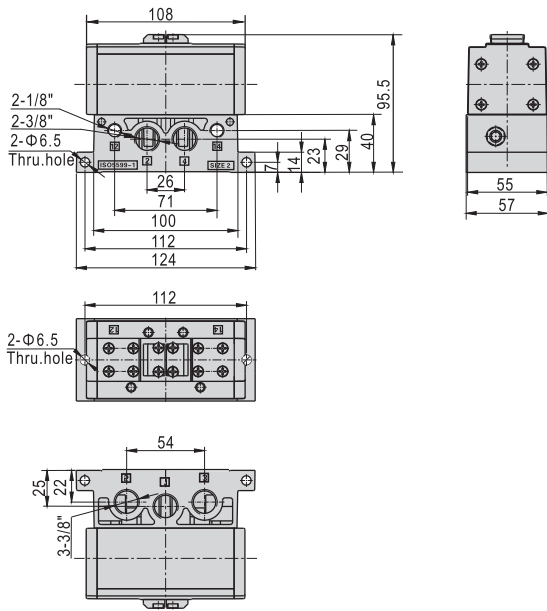
2. The dimensions of valve with manifolds



ISO Standard air valve(5/2 way, 5/3 way)

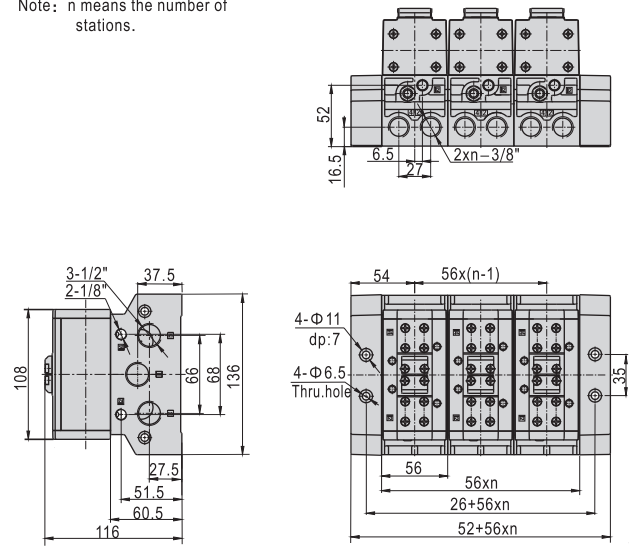
EAV200, 300, 400, 600 Series

EAV310/320+ESV301M

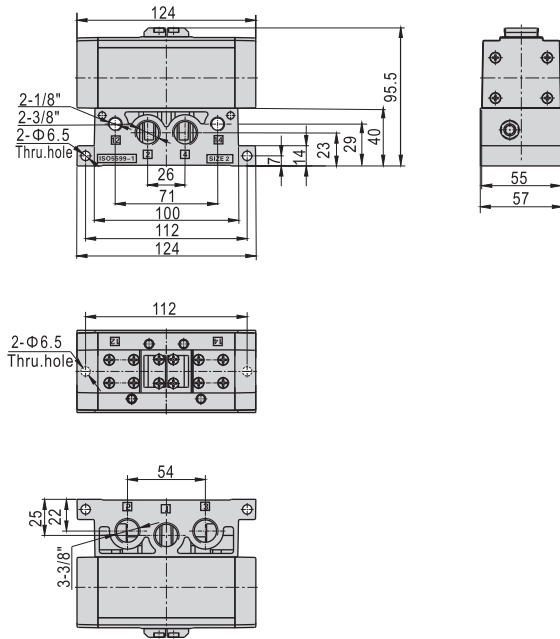


EAV310/320+ESV302M+ESV303M

Note: n means the number of stations.

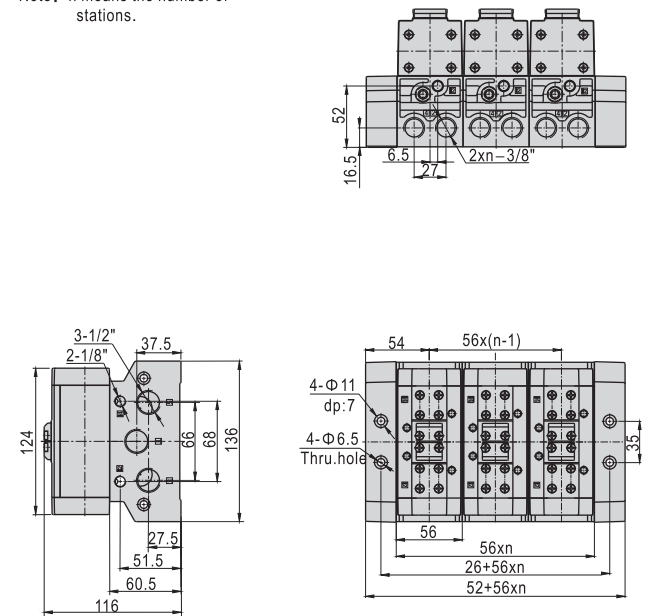


EAV330+ESV301M



EAV330+ESV302M+ESV303M

Note: n means the number of stations.



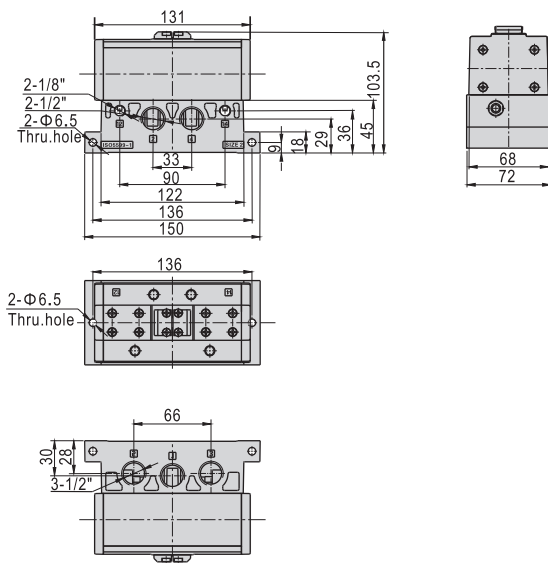
ISO Standard air valve(5/2 way, 5/3 way)

EAV200, 300, 400, 600 Series



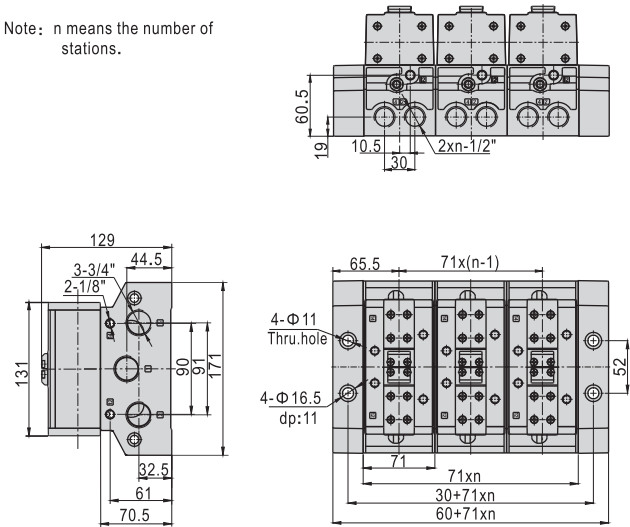
EAV

EAV410/420+ESV401M

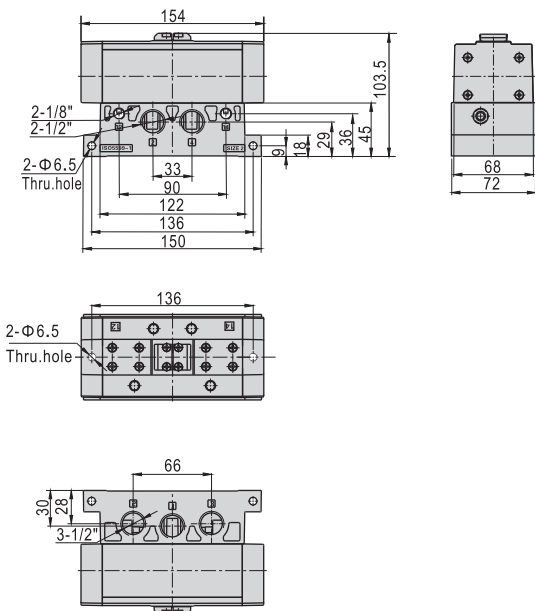


EAV410/420+ESV402M+ESV403M

Note: n means the number of stations.

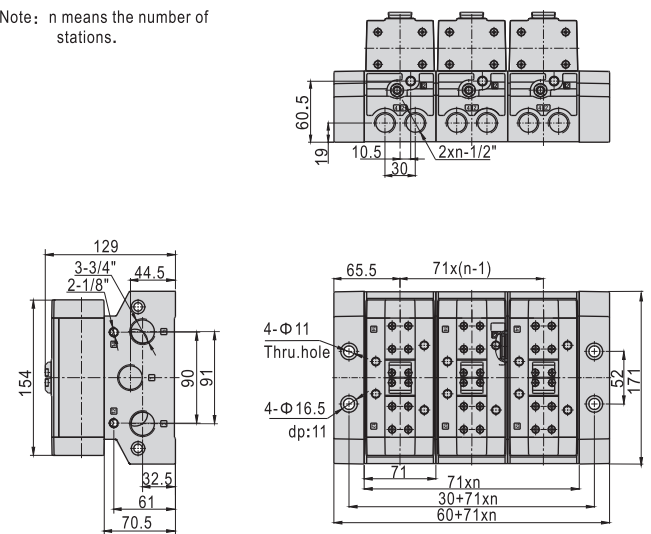


EAV430+ESV401M



EAV430+ESV402M+ESV403M

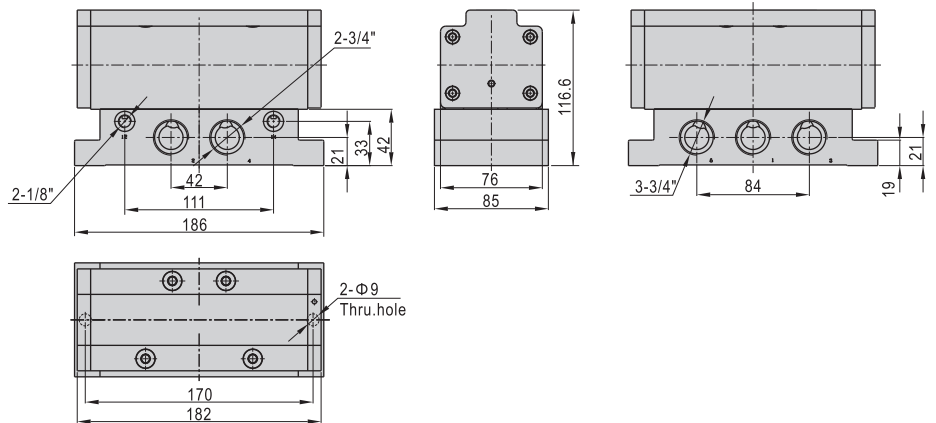
Note: n means the number of stations.



ISO Standard air valve(5/2 way, 5/3 way)

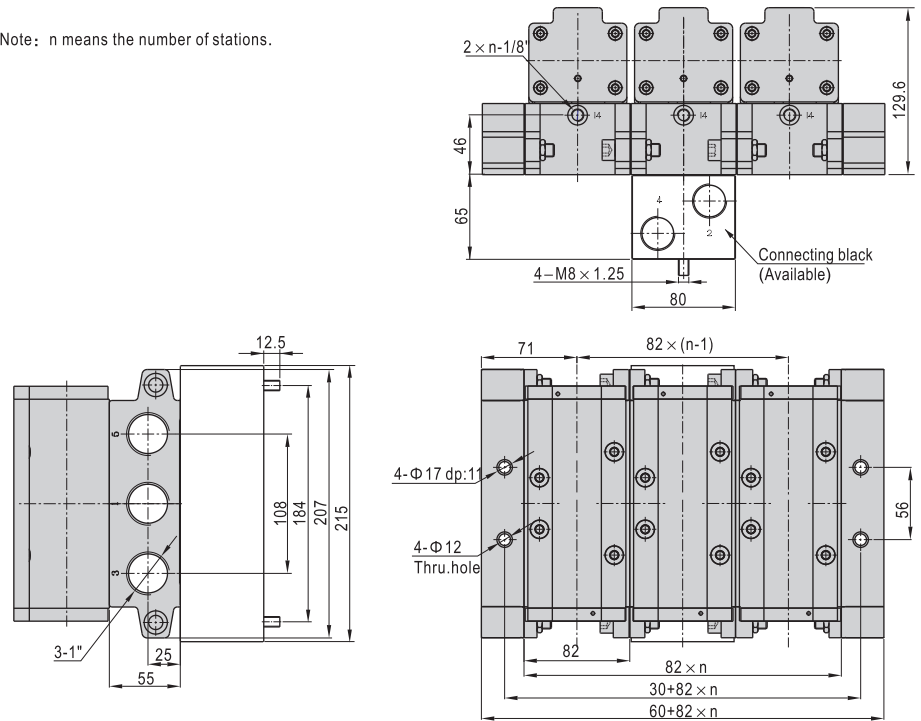
EAV200, 300, 400, 600 Series

EAV610/620/630+ESV601M



EAV610/620/630+ESV602M+ESV603M+ESV604M

Note: n means the number of stations.



EAV

