

Mechanically operated valves Series 1 and 3

Series 1, 3/2-way and 5/2-way Ports G1/8 and G1/4
Series 3, 3/2-way and 5/2-way Ports G1/8



The mechanically operated valves in the 3 Series (G1/8) and those in the 1 Series (G1/8 and G1/4) have been designed with three different types of actuation:

- plunger
- lever/roller
- unidirectional lever/roller

In each case, return is triggered by a mechanical spring.

The Series 3, 3/2-way monostable valves are normally closed in the rest position when pressure is supplied in 1 and are normally open when pressure is supplied on connection 3, the user port 2 remaining unchanged.

The Series 3 5/2-way valves may be supplied via the ports 3 and 5 with two different pressures if a cylinder has to be operated using a delivery pressure which is different from the return pressure.

GENERAL DATA

Construction	spool-type (Series 3), poppet-type (Series 1)
Valve group	3/2, 5/2 way/pos.
Materials	aluminium body, poppet OT58, stainless steel spool, NBR seals
Ports	G1/8, G1/4
Ambient temperature	0°C+ 60°C
Medium temperature	0°C+ 50°C
Operating pressure	see models
Fluid	Filtered air, without lubrication. If lubricated air is used, it is recommended to use ISO VG32 oil. Once applied the lubrication should never be interrupted.

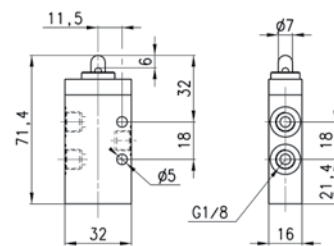
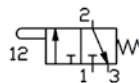
CODING EXAMPLE

3	3	8	-	94	5
---	---	---	---	----	---

3	SERIES: 1 3
3	FUNCTION: 3 = 3/2 ways N.C. 4 = 3/2 ways N.O. (only Series 1) 5 = 5/2 ways
8	PORTS: 8 = G1/8 4 = G1/4 (only Series 1)
94	ACTUATION: 94 = plunger 95 = lever/roller 96 = unidirectional roller
5	RESETTING: 5 = spring return

Valve Mod. 338-945

Operating pressure = $-0,9 \div 10$ bar
Flow rate = 700 NI/min.
Actuating force = 32N

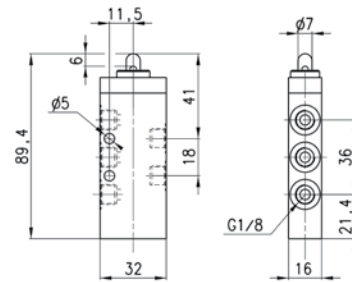


Mod.

338-945

Valve

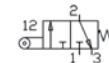
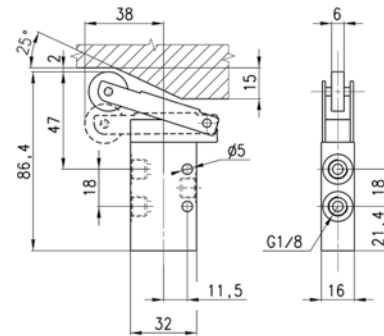
Operating pressure = -0,9 ÷ 10 bar
 Flow rate = 700 NI/min.
 Actuating force = 35N



Mod.
358-945

Valve

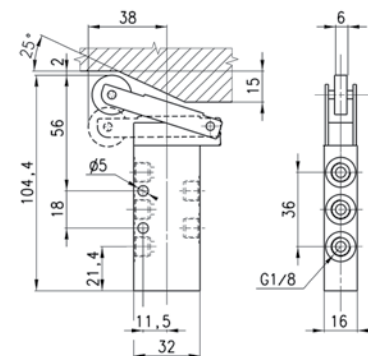
Operating pressure = -0,9 ÷ 10 bar
 Flow rate = 700 NI/min.
 Actuating force = 15N



Mod.
338-955

Valve

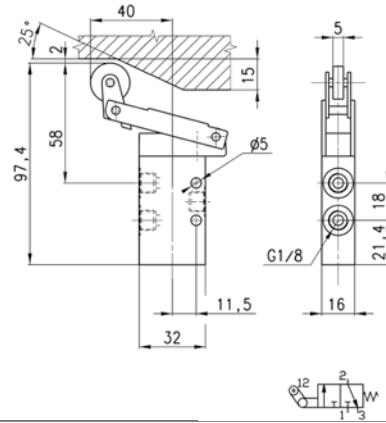
Operating pressure = -0,9 ÷ 10 bar
 Flow rate = 700 NI/min.
 Actuating force = 17N



Mod.
358-955

Valve

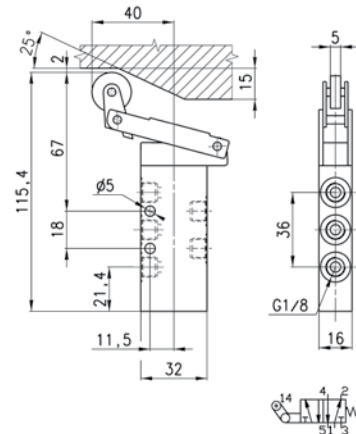
Operating pressure = $-0,9 \div 10$ bar
 Flow rate = 700 NI/min.
 Actuating force = 15N



Mod.
338-965

Valve

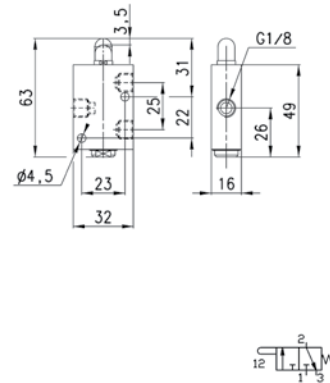
Operating pressure = $-0,9 \div 10$ bar
 Flow rate = 700 NI/min.
 Actuating force = 16N



Mod.
358-965

Valve

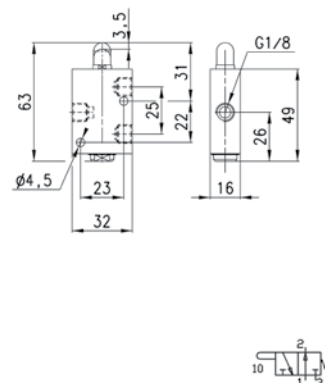
Operating pressure = $0 \div 10$ bar
 Flow rate = 500 NI/min.
 Actuating force at 6 bar = 70N



Mod.
138-945

Valve

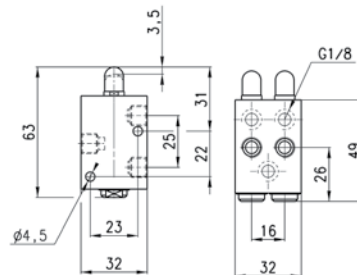
Operating pressure = $0 \div 10$ bar
 Flow rate = 500 NI/min.
 Actuating force at 6 bar = 70N



Mod.
148-945

Valve

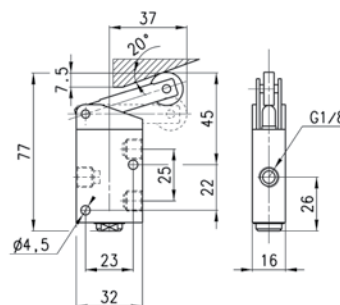
Operating pressure = 0 ÷ 10 bar
 Flow rate = 500 NI/min.
 Actuating force at 6 bar = 120N



Mod.
158-945

Valve

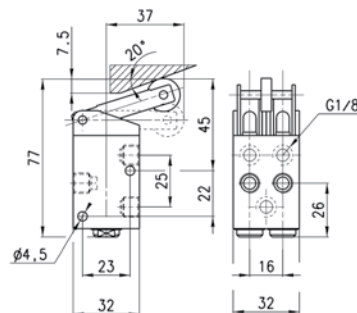
Operating pressure = 0 ÷ 10 bar
 Flow rate = 500 NI/min.
 Actuating force at 6 bar = 36N



Mod.
138-955

Valve

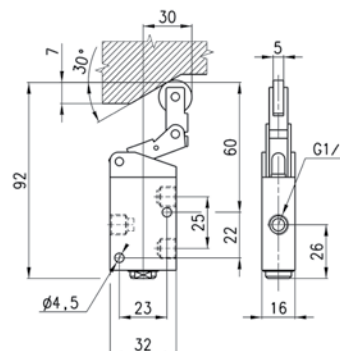
Operating pressure = 0 ÷ 10 bar
 Flow rate = 500 NI/min.
 Actuating force at 6 bar = 92N



Mod.
158-955

Valve

Operating pressure = 0 ÷ 10 bar
 Flow rate = 500 NI/min.
 Actuating force at 6 bar = 41N



Mod.
138-965

